

8460 Watts SYSTEM



144 HIGH EFFICIENCY POLYCRYSTALLINE BUILDING INTEGRATED PHOTOVOLTAIC SOLAR SHINGLES



LUMA RESOURCES SOLAR SHINGLE (LRSS)

Solar shingles designed for steep sloped roofing applications. Composing as the roof, the solar shingles come with their own custom flashing that surrounds the system. The flashing transitions the solar shingles into, virtually, all other roofing products. Underneath the solar shingle there is space for air flow and wire harnessing.

SYSTEM INCLUDES

- 144 Solar Shingles with quick connectors
- Inverter with online monitoring
- Wire harness & electrical diagram
- Easy grounding with ground wire & diagram
- Flashing; allows any other surrounding roof
- Transition box

SPECIFICATIONS IN D.C. WATTS

Electrical Performance under Standard Test Conditions (STC)

● 144 LRSS in series: Number of strings	3 of 48	● Max System Voltage	DC 600 V
● Maximum Power (Pmax)	8640 W	● Temperature Coefficient of Voc	-0.34% / °C
● Maximum Power Voltage (Vmp)	387.84 V	● Temperature Coefficient of Isc	0.09% / °C
● Maximum Power Current (Imp)	22.65 A	● Power Temperature Coefficient	-0.37% / °C
● Open Circuit Voltage (Voc)	470.4 V	● Power Tolerance Range	+/- 3%
● Short Circuit Current (Isc)	24.33 A	● Series Fuse (ADC)	15 amp

AC INVERTER

Sunny Boy Inverter featuring 7000US

● Continuous Output Power (watts)	7000	● AC and DC PV System Disconnect	
● CEC Weighted Efficiency:	96.0%	● Warranty 10 years with an opt for 15 years or 20 years	
● MPP voltage range	250V-480V	● Display: text line / graphic	
● DC nominal range	310 V	● Weight with Disconnect	151 lbs 67.5 kg
● Maximum DC Input Voltage (VOC)	600		

FLASHING KIT 86818 or 861212

Flashing kit 86818 (8 LRSS wide 18 up the slope)

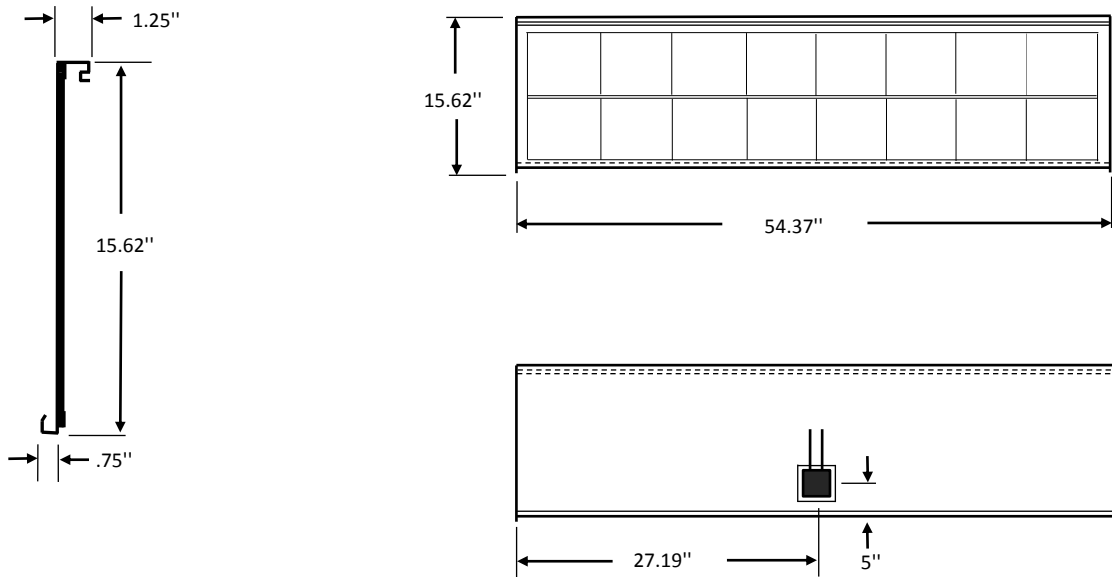
● Width	37.4 ft.	11.4 m
● Height	23.6 ft.	7.19 m
● Area	883 ft. ²	81.97 m
● Weight with 144 LRSS	3642 lbs	1651 kg

Flashing kit 861212 (12 LRSS wide 12 up the slope)

● Width	55.6	16.95m
● Height	16.4 ft.	5 m
● Area	911 ft. ²	84.7m ²
● Weight with 144 LRSS	3654 lbs	1651 kg

PHYSICAL SPECIFICATIONS

LRSS



LIMITED WARRANTY

Product warranty

- 5 Year Limited warranty on materials and workmanship
- 25 Year on Power Output

Manufacturer's power warranty:

- Coverage on power degradation greater than 90% for 10 years.
- Coverage on power degradation greater than 80% for 25 years.

The warranties do not cover damages due to:

- Malfunctions or service failures caused by obvious abuse or misuse.
- Power failure surges, lightning, fire, flooding, etc...
- Action of third parties and other events or accidents beyond reasonable control and not occurring under normal operating conditions.

EXAMPLE OF A 5740 DC WATT KIT (37 FT. WIDE BY 15.3 FT. UP THE SLOPE)



LUMA Resources, LLC.,
2691 Leach Rd. Rochester Hills, MI. 48309, U.S.A.
Phone: +1 888 733 5862. Fax: +1 248 852 7122
www.lumaresources.com